

Basics of BMP Installation

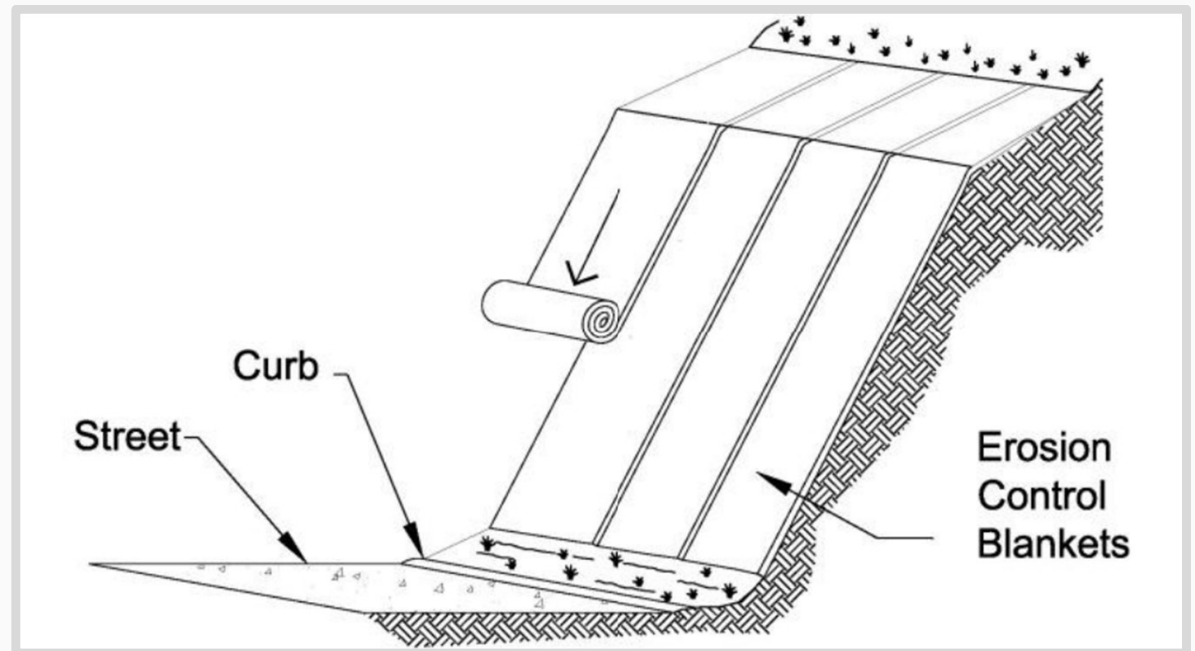
Presented by:

Sonny Johns, MSc, REP, EP, CPESC, CISEC



Erosion Controls

Erosion Control Blanket (ECB)



Erosion Control Blanket (ECB) (Temporary)



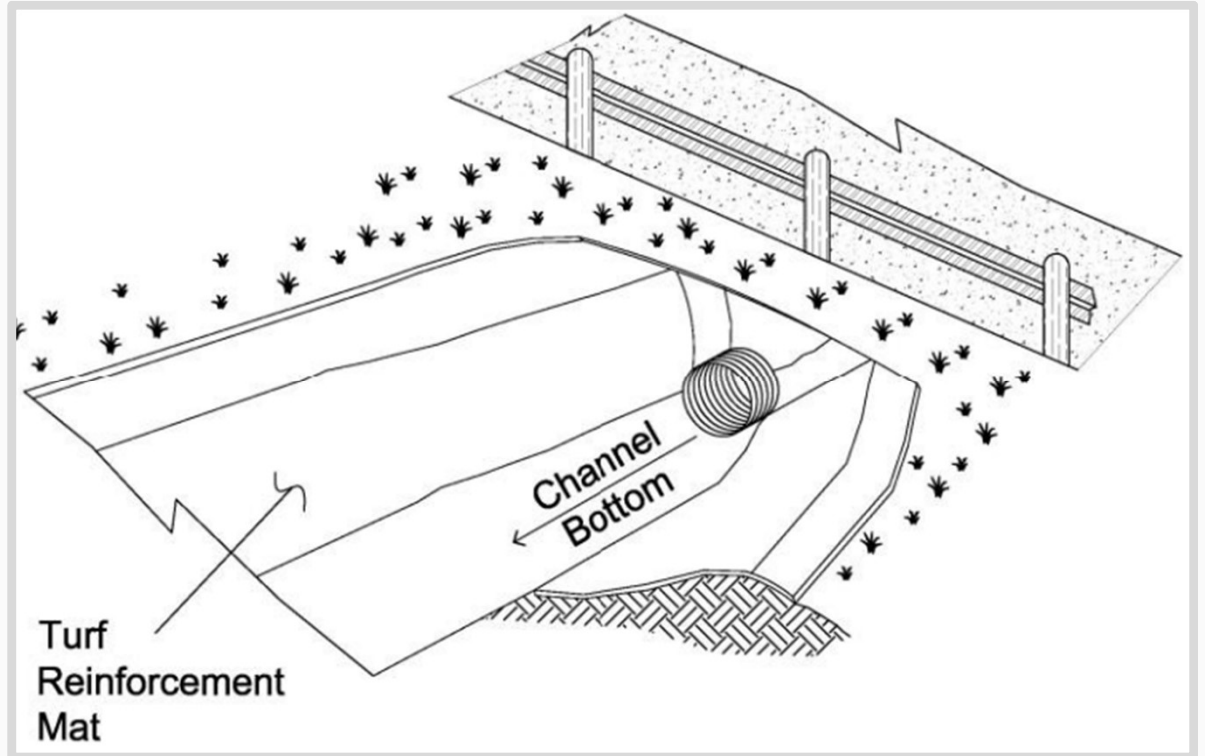
Erosion Control Blanket (ECB) (Temporary)



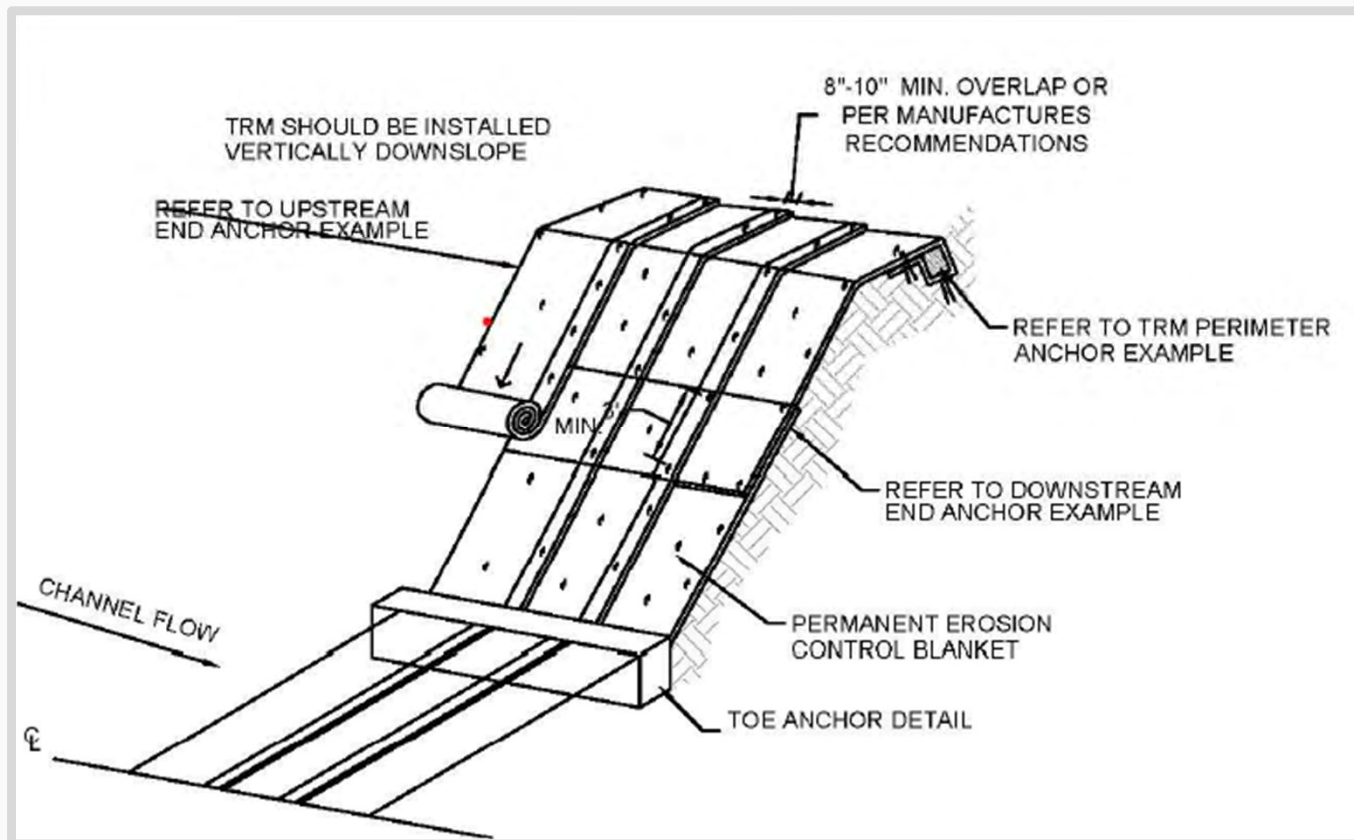
Erosion Control Blanket (ECB) (Permanent)



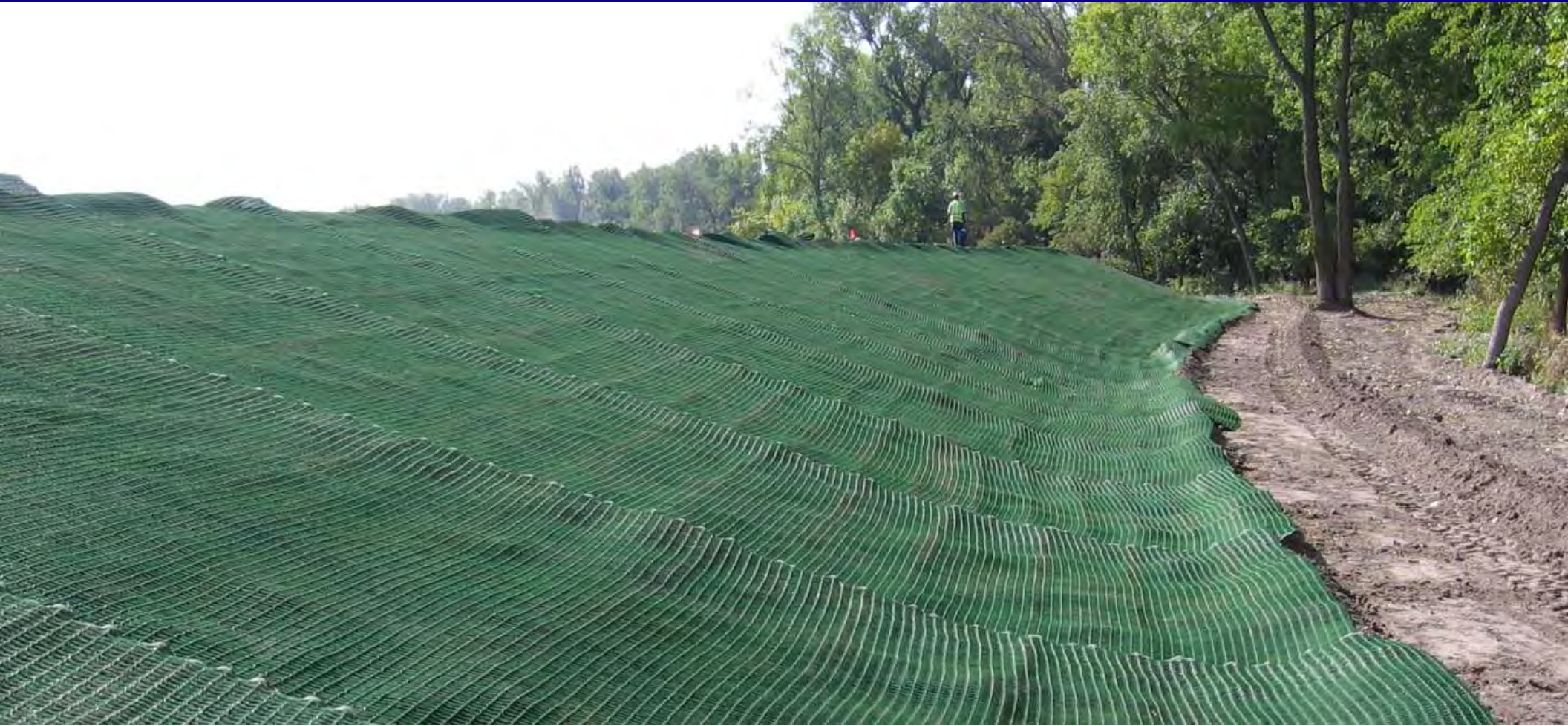
Turf Reinforcement Mat (TRM)



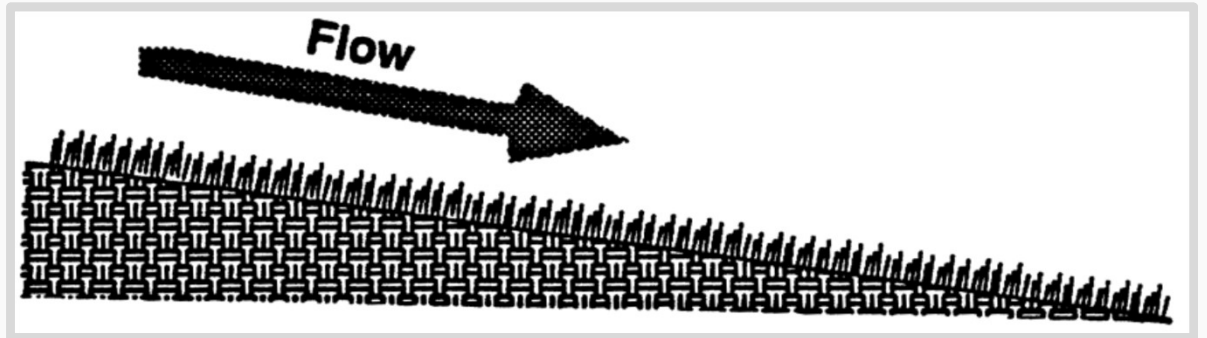
Turf Reinforcement Mat (TRM)



Turf Reinforcement Mat (TRM)



Vegetation



Vegetation

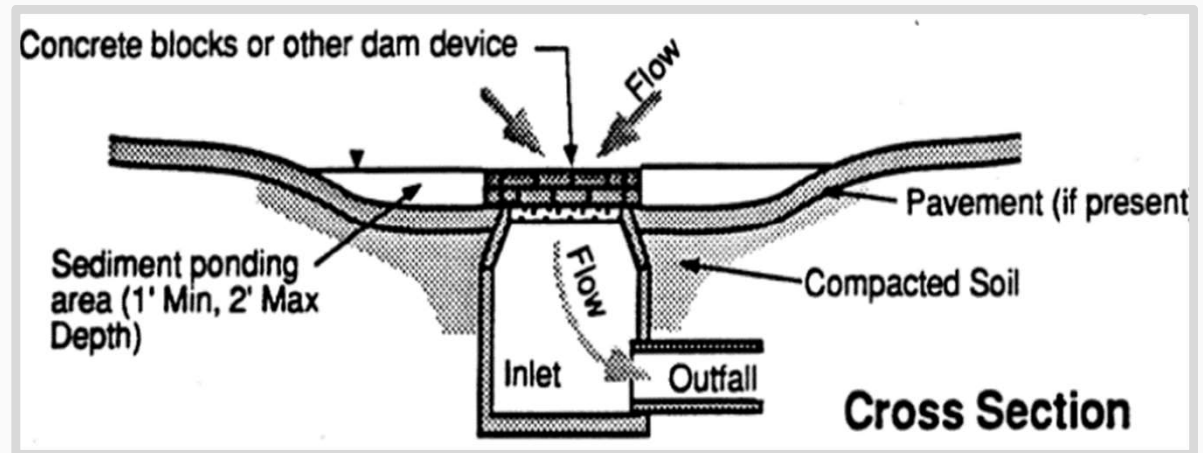


Vegetation



Sediment Controls

Inlet Protection



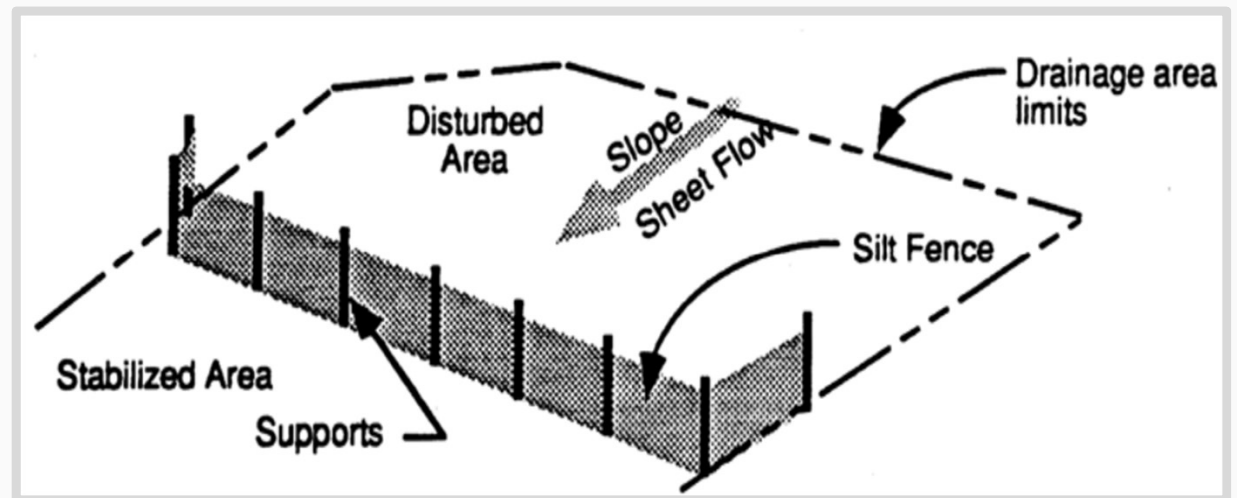
Curb Inlet Protection



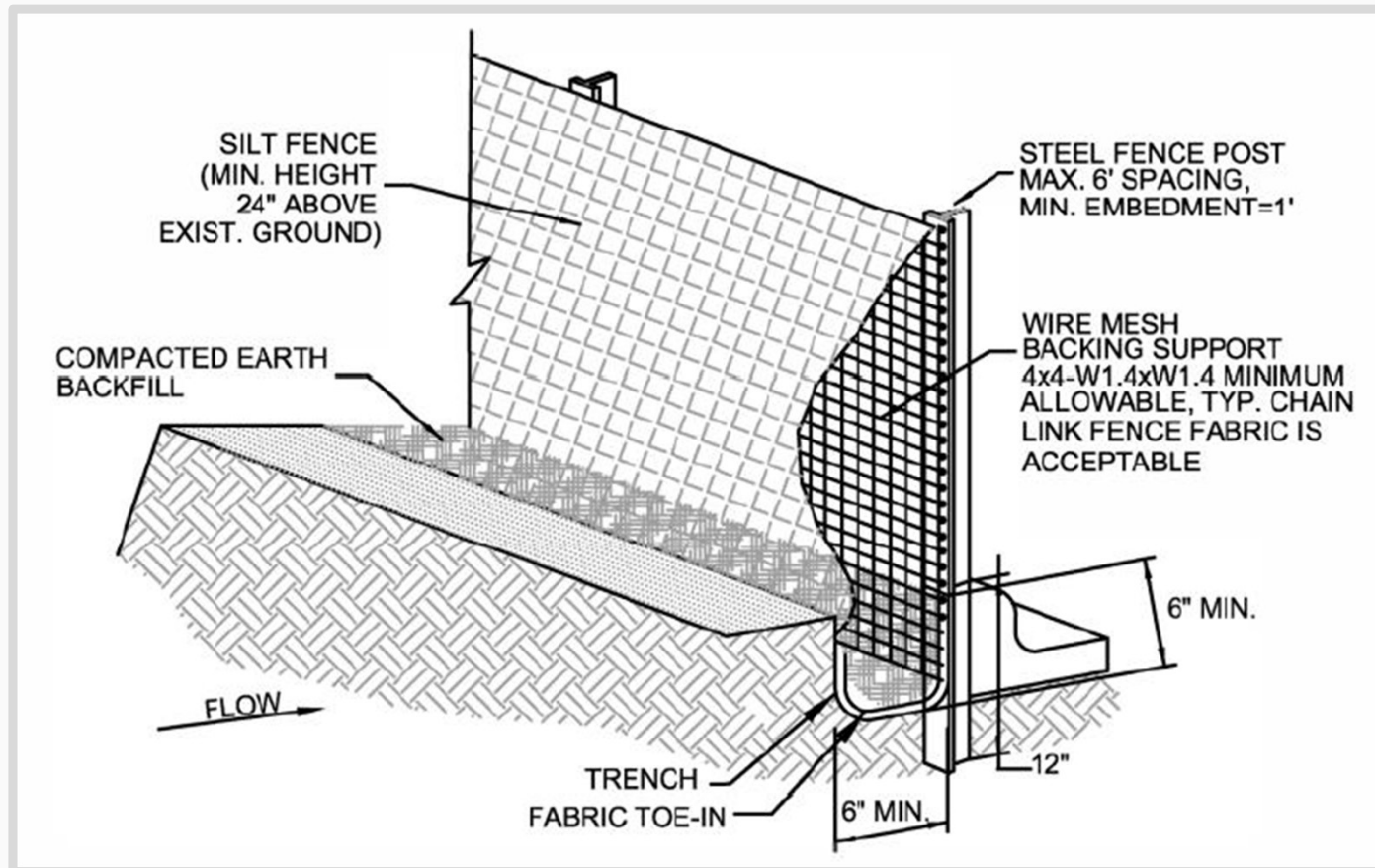
Drop Inlet Protection



Silt Fence



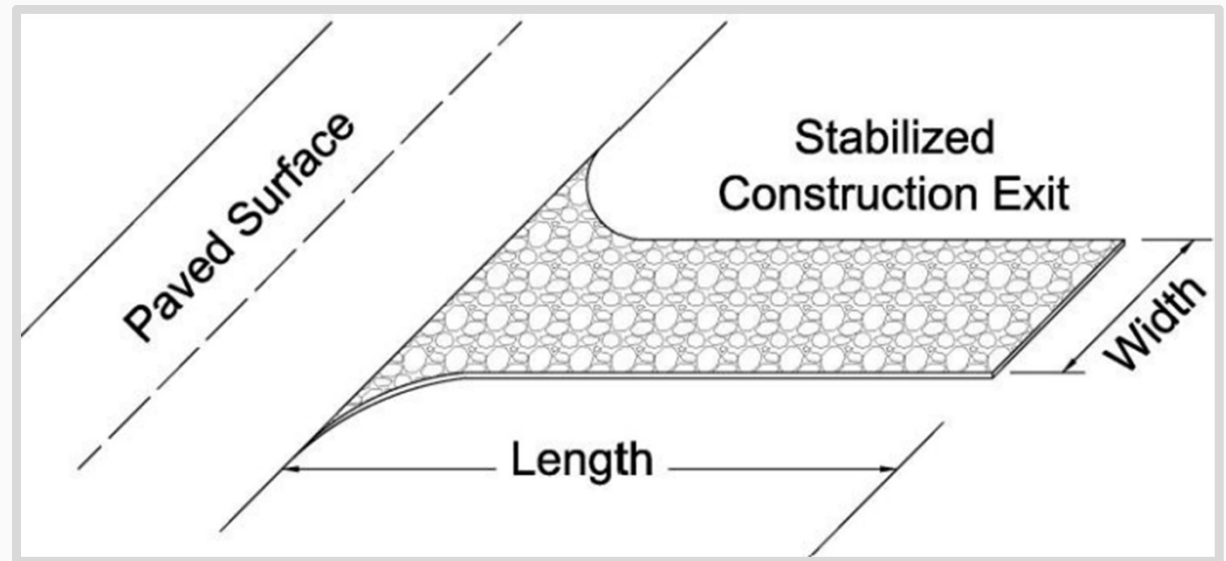
Silt Fence



Silt Fence



Stabilized Construction Entrance



Stabilized Construction Entrance



Stabilized Construction Entrance



Thank You!

Questions?

Sonny Johns, MSc, REP, EP, CPESC, CISEC
Sonny.johns@cardinalstrategies.com

